

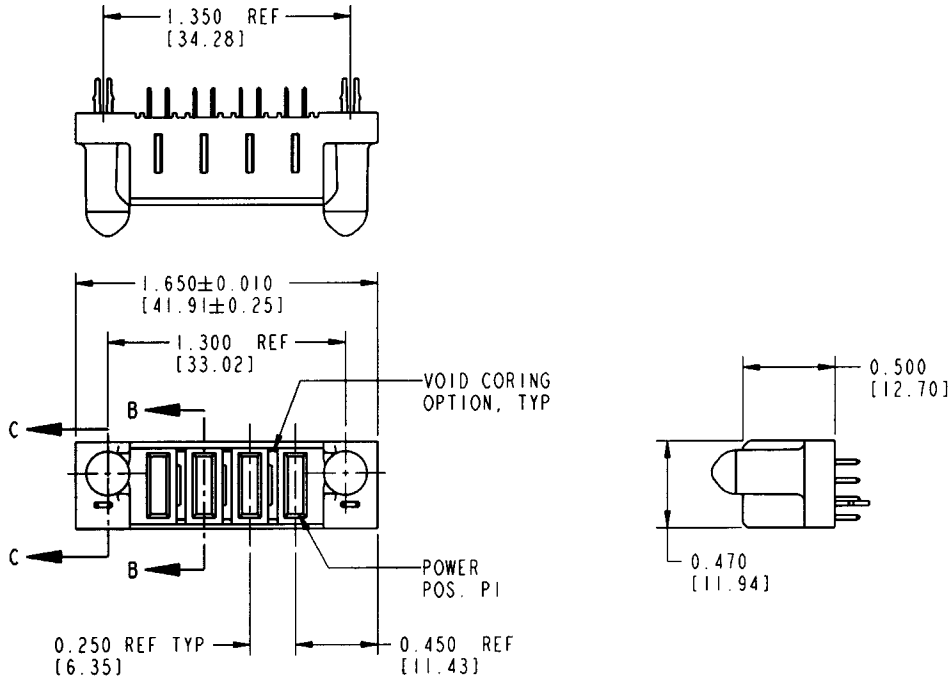
Tous droits strictement reserves. Reproduction ou communication o des liers interdié sous quelque forme que ce soit sans autorisation écrite du propriétaire. Propriete de c FCI. Droits de reproduction FCI.

All rights strictly reserved. Reproduction or issue to third parties in any form whatever is not permitted without written authority from the proprietor. Property of FCI. Copyright FCI.



CODE	CONTACT TYPE
PA	POWER
HA	HOLD-DOWN

PRODUCT No.	ROWS	POWER					E1
		E2	P4	P3	P2	P1	
51743-10400000AA	D						
	C						
	B						
	A						



mat'l code		NOTE 1		tolerances unless otherwise specified		CUSTOMER		ELECTRONICS	
lfr	ecm no.	dr	date	linear	.xx±.01/0.xx±0.3	COPY		www.fciconnect.com	
A	V11522	CGD	05/01/01	angles	.xxx±.005/0.xxx±0.13	projection		title 4P	
				dr	.xxx±.0020/.xxx±.051			VERTICAL SOLDER TAIL RECEPTACLE	
				enr	0°±2°	INCH/MM		product family PwrBlade code	
				chr		scale		size dwg no	
				appd		1:1		A 51743-10400000AA	
sheet index	revision sheet	A	A						213
		1	2						1 of 2

cage code 22526

Pro/E

PDM: Rev:A

STATUS: Released

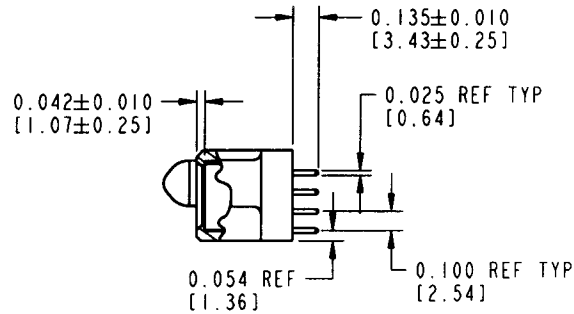
Printed: Aug 14, 2007

Tous droits strictement réservés. Reproduction ou communication à des tiers interdite sous quelque forme que ce soit sans autorisation écrite du propriétaire. Propriété de c FCI. Droits de reproduction FCI.

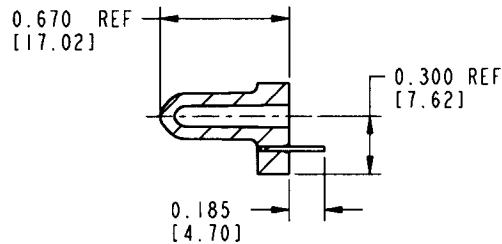
All rights strictly reserved. Reproduction or issue to third parties in any form whatever is not permitted without written authority from the proprietor. Property of FCI. Copyright FCI.

PRODUCT NUMBER

51743-10400000AA



SECTION B-B

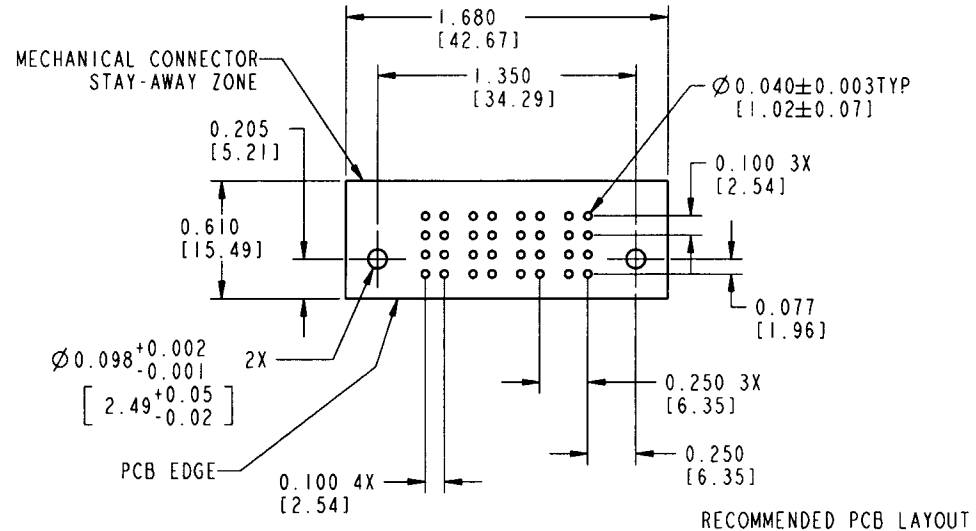


SECTION C-C

CONNECTOR NOTES:

1. FOR ADDITIONAL INFORMATION, REFER TO DRAWING NUMBER 51743.
2. ALL DIMENSIONS ARE BASIC UNLESS OTHERWISE SPECIFIED.
3. ALL THROUGH HOLES ARE LOCATED WITH A TRUE POSITION OF 0.004 [0.10]
4. ALL HOLE DIAMETERS ARE FINISHED HOLE SIZE
5. $\varnothing 0.098$ [2.49] THROUGH HOLES ARE UNPLATED
6. $\varnothing 0.0453 \pm 0.0010$ [1.151 \pm 0.025] DRILLED HOLES PLATED WITH 0.0003 [0.008] MIN SnPb OVER 0.001 [0.03] TO 0.003 [0.08] Cu PLATING TO ACHIEVE A $\varnothing 0.040 \pm 0.003$ [1.02 \pm 0.07] HOLE

PCB NOTES:



RECOMMENDED PCB LAYOUT

mat'l code		NOTE 1		tolerances unless otherwise specified		CUSTOMER		FCI ELECTRONICS	
flr	ecr no.	dr	date	.XX±.01/0.XX±0.3		COPY		www.fciconnect.com	
A				.XXX±.005/0.XX±0.13	linear	projection	title	4P	
				.XXX±.0020/.XXX±.051	angles	\varnothing symbol	VERTICAL SOLDER TAIL RECEPTACLE		
				$0^\circ \pm 2^\circ$	dr	C. DAILY 05/01/01	product family	PwrBlade	code
					eng	J. ALLISON 05/01/01	size	dwg no	213
					chr	J. ALLISON 05/01/01	scale	A 51743-10400000AA	
					appd	J. ALLISON 05/01/01	1:1	sheet 2	
sheet index	revision								
	sheet								

Pro/E

PDM: Rev:A

STATUS: Released

Printed: Aug 14, 2007

code code 22526